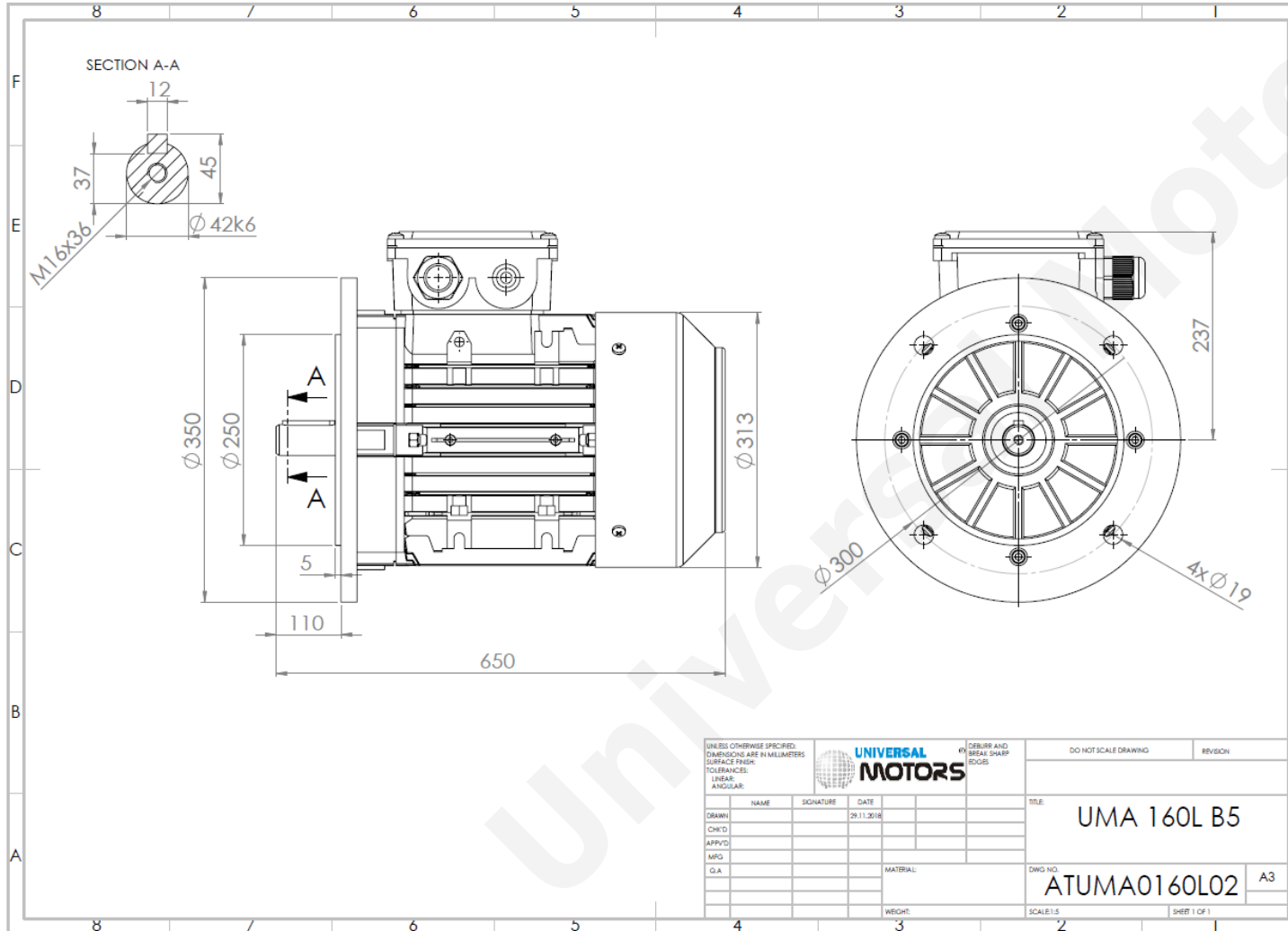




# TECHNICAL DATA

Three Phase Electric Motors - Aluminum Frame  
 UM3A 160L-4 IE3  
 15 kW / 20 Cv  
 1470 RPM



Motor type:	<b>UM3A 160L-4 IE3</b>
Output:	<b>15 kW / 20 Cv</b>
Speed (min <sup>-1</sup> ):	<b>1470 RPM</b>
Frequency:	<b>50 Hz</b>
Voltage:	<b>400 V</b>
Current:	<b>27.7 A</b>
Power factor (Cos Ø):	<b>0.85</b>
Poles:	<b>4</b>
Insulation class:	<b>F</b>
Temperature rise Class:	<b>B</b>
Efficiency 50%:	<b>91.3 %</b>
Efficiency 75%:	<b>92.3 %</b>
Efficiency 100%:	<b>92.1 %</b>
Torque:	<b>97 N.m</b>
Tstarting/Tnominal:	<b>3.0</b>
Istarting/Inominal:	<b>9.2</b>
Tmaximum/Tnominal:	<b>3.0</b>
Noise:	<b>75 Db(A)</b>
Weight:	<b>110.5 Kg</b>
Brake AC:	<b>AC8</b>
Torque Brake DC:	<b>200 N.m</b>
Bearing DE:	<b>6309 2Z</b>
Bearing NDE:	<b>6309 2Z</b>
Torque Brake AC:	<b>200 N.m</b>
Brake DC:	<b>K8</b>

**Regime - S1**

**Altitude - 1000m**

**Environment Temperature - 40°C**

## CONTACTS:

UNIVERSAL MOTORS Tel: +351 252 299 080  
 Rua de São Brás,745 Fax: +351 252 299 089  
 4480-782 VILA DO CONDE Mail: [geral@universalmotors.pt](mailto:geral@universalmotors.pt)

\* References applied only in the UK